

2 WARRANTY*
YEAR

Storage temperature:
-30 to +60 C
Working temperature:
-25 to +50 C

SPECIFICATION

MB-BAR-x



Technical Specifications

Description	MB-BAR-CW	MB-BAR-NW	MB-BAR-WW	MB-BAR-R	MB-BAR-G	MB-BAR-B	MB-BAR-Y
Color, color temperature	6500K	4000K	3000K				
Input power	15.4 W/m	15.4 W/m	15.4 W/m	7.4 W/m	7.4 W/m	7.4 W/m	7.4 W/m
Supply voltage	Dc 24 V (minimum voltage: 22.8 V)						
Diode type	2835						
Number of LEDs	42 diodes/m						
Protection rating	IP67 / IP20						
Enclosure	Aluminum (silver/ black)						
Glass	Transparent / Ice / Milk						
Color of wires	White / Black						
Dimensions	Length: 0.5-1.5 m (in increments of 0.5 m), height: 27 mm, depth: 30 mm (60 mm w/bracket)						

ADVANTAGES:

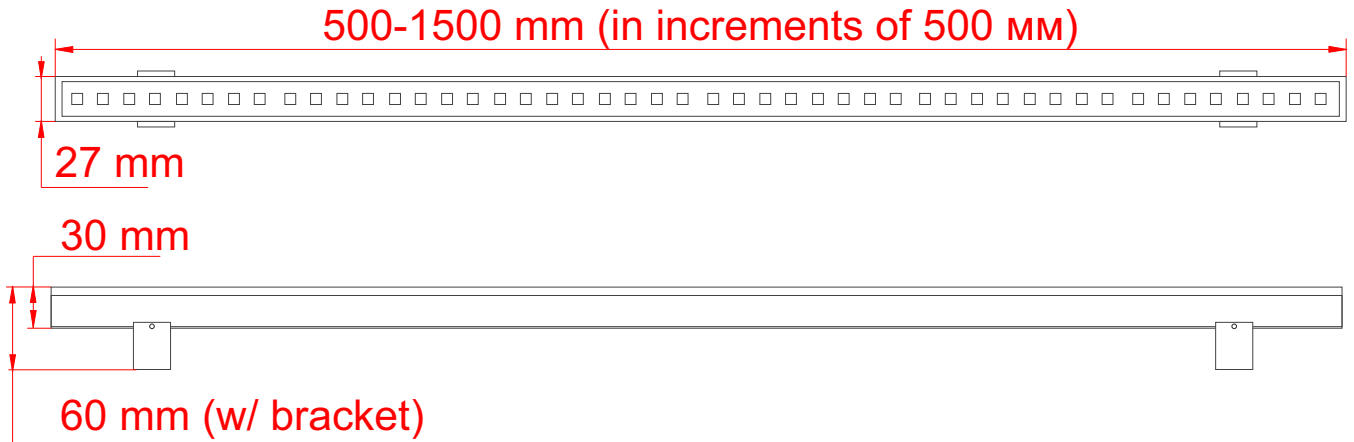
- Moisture protection Ip67;
- Customizable products of any length (up to 1.5 m);
- Optional swing bracket;
- Easy installation and maintenance.

APPLICATION:

- Facade installations, contour building illumination;
- Dynamic light, out-of-the-box solutions;
- Architectural and landscape design.

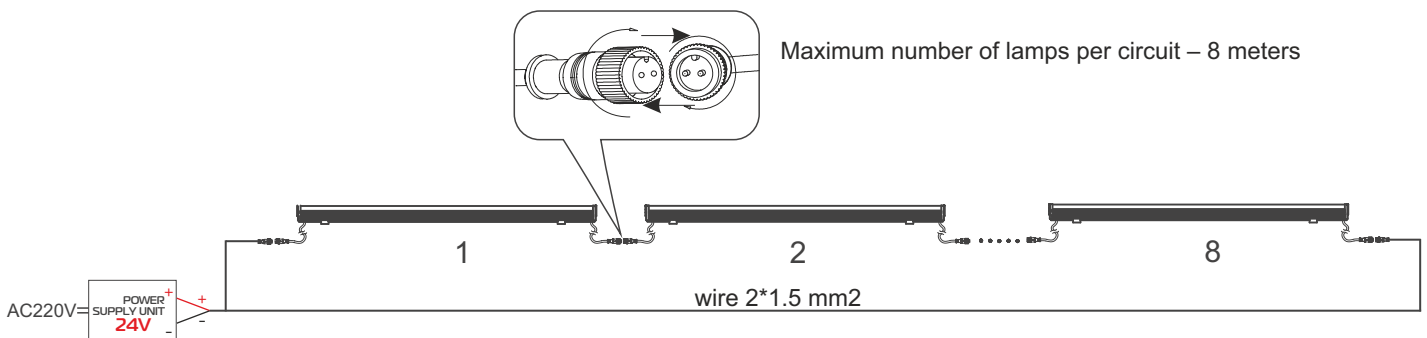
*If equipment operation period does not exceed 12 hours a day. Day-and-night operation reduces the warranty period twofold.

DIMENSIONS

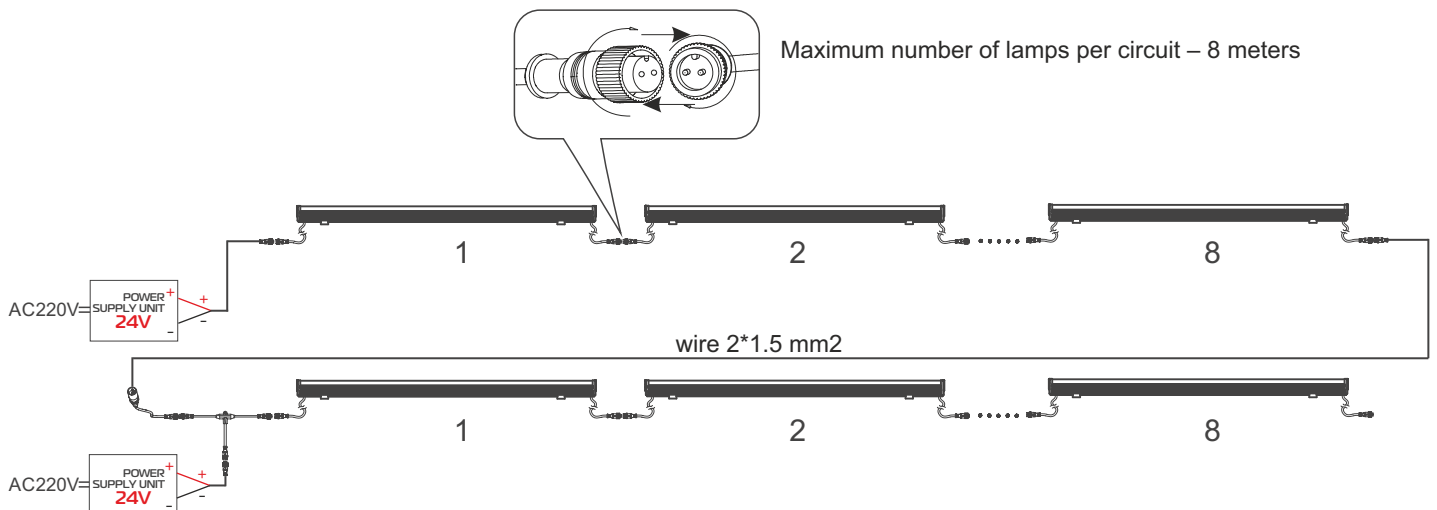


INSTALLATION

1. Two-side power connection diagram



2. Two-side power connection diagram (cascading)



Appearance



Connectors



Brackets

