

SPECIFICATION | MB-M3CH-2835-X

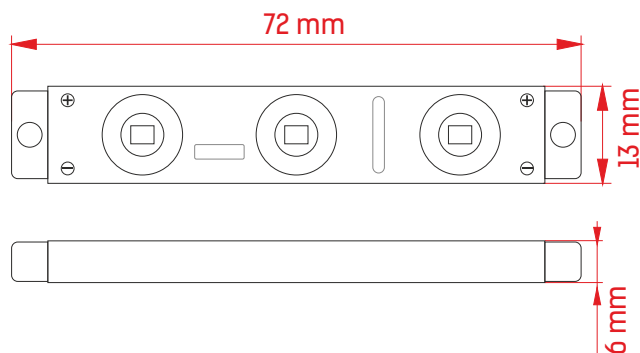
3 WARRANTY
YEAR *

Storage temperature:
from -30 till +70 C
Operating temperature:
from -30 till +60 C

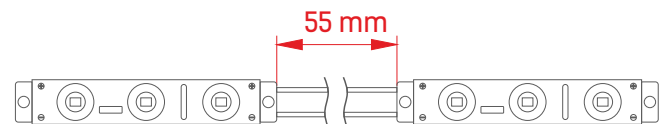


Name	Color	Luminous flux	Angle of luminous flux	Voltage	Current consumption	Output	Dimensions, mm	Protection class**
MB-M3CH-2835-W		65 lm	120	12V	55mA	0,66W	72*13*6	IP65
MB-M3CH-2835-R		16 lm	120	12V	55mA	0,66W	72*13*6	IP65
MB-M3CH-2835-Y		18,5 lm	120	12V	55mA	0,66W	72*13*6	IP65

**To be used indoors and outdoors, excluding exposure to direct sun rays.



Module-to-module cable length



ADVANTAGES:

- Diodes chimei 2835;
- Long service life;
- High efficiency of a module and low cost of 1 lm;
- High quality materials;
- Optimized to application in light advertising structures;
- Conformity to international standards.

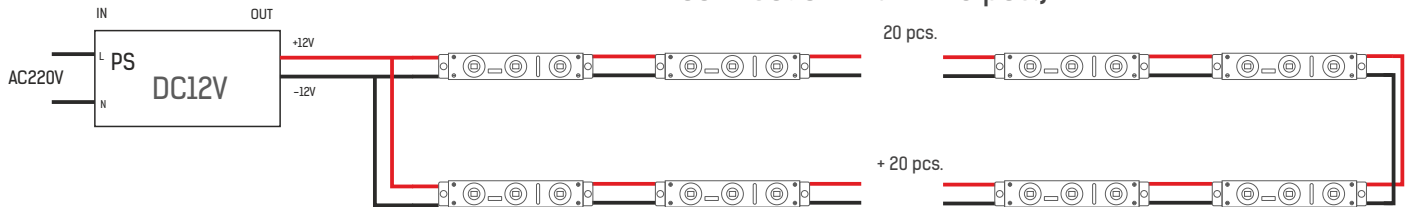
APPLICATION:

- Advertising structures having the depth from 120 to 200 mm;
- Illumination of store fixtures and equipment;
- Interior design of residential and commercial premises.

*If equipment is operating max 12 hours per day.
In case of a day and night operation the warranty period is decreased by 2 times

INSTALLATION

Maximum number of modules per circuit connected from both sides, 40 pcs. (in case of a single-sided connection max = 20 pcs.)



NOTE: For installation refer to the connection diagram. Improper connection may cause a short-circuit!

ATTENTION: Make sure that the power supply unit is disconnected before connecting light-emitting diodes.

INSTALLATION EXAMPLE

Depth, mm	MAX distance between LED modules, mm	MAX distance between circuits of LEDs, mm
120	50	100
150	55	150
180	55	200
200	55	210

For the purpose of calculating the maximum quantity of modules per power supply unit, we recommend to use the following formula:

$$\text{max q-ty of modules} = \frac{\text{supply unit power}}{\text{module power} \times 1.2}, \text{ where } 1.2 - 20\% \text{ margin of supply unit power.}$$

CALCULATION OF MODULES PER POWER SUPPLY UNIT

Supply unit, power	Max quantity of modules
18W	22 pcs.
35W	44 pcs.
50W	63 pcs.
60W	75 pcs.
100W	126 pcs.
150W	189 pcs.

