

SPECIFICATION | MB-M3KO-L-5050-R

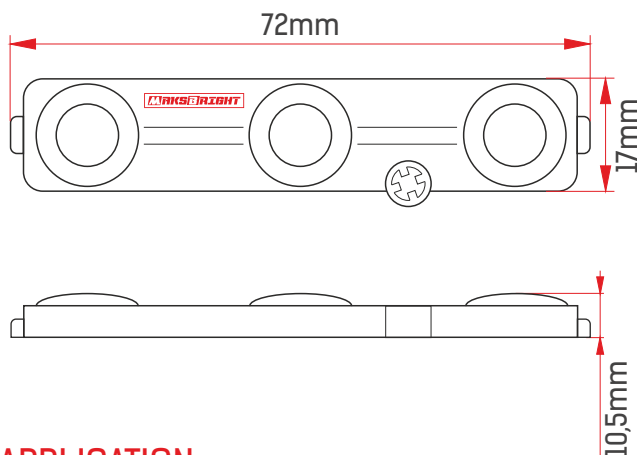
3 WARRANTY
YEAR*

Storage temperature:
from -30 till +70 C
Operating temperature:
from -30 till +60 C

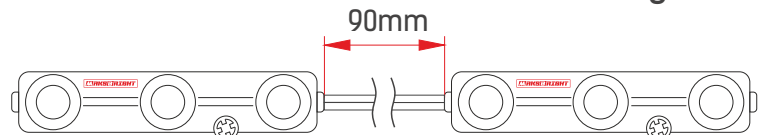


Name	Color	Luminous flux	Angle of luminous flux	Voltage	Current consumption	Output	Dimensions, mm	Protection class**
MB-M3KO-L-5050-R		18 lm	150	12V	60mA	0,72W	72*17*10,5	IP65

**To be used indoors and outdoors, excluding exposure to direct sun rays.



Module to module cable length



APPLICATION:

Advertising structures having the depth from 80 to 150 mm;

Illumination of store fixtures and equipment;

Interior design of residential and commercial premises.

ADVANTAGES:

Made in Korea;

Lens allows for an extra protection and light flux angle of 150 degrees, which improves the lighting uniformity;

High efficiency of a module and low cost of 1 lm;

Reliable heat removal system;

Cable AWG 20 (homogeneous illumination of all modules in a standard circuit including 50 pcs.).

APPROXIMATE CONSUMPTION OF MODULES

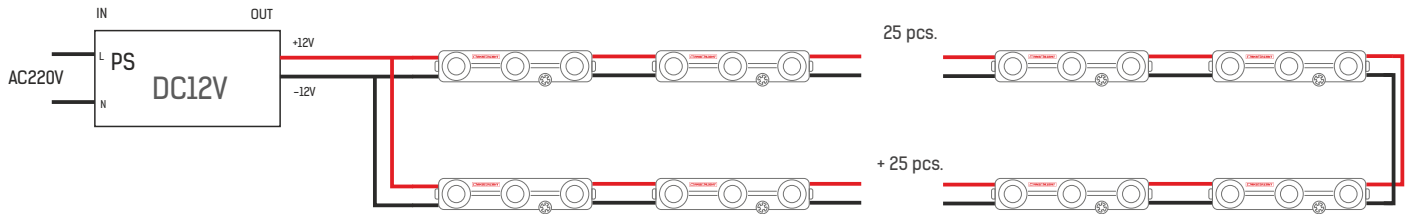
Depth, mm	Quantity of modules per m2, pcs
80	56
90	42
100	36
120	30
150	24

*If equipment is operating max 12 hours per day.
In case of a day and night operation the warranty period is decreased by 2 times



INSTALLATION

Maximum number of modules per circuit connected from both sides, 50 pcs. (in case of a single-sided connection max = 25 pcs.)



NOTE: For installation refer to the connection diagram. Improper connection may cause a short-circuit!

ATTENTION: Make sure that the power supply unit is disconnected before connecting light-emitting diodes.

INSTALLATION EXAMPLE

Depth, mm	MAX distance between LED modules, mm	MAX distance between circuits of LEDs, mm
80	80	140
90	100	150
100	130	180
120	130	230
150	130	300

For the purpose of calculating the maximum quantity of modules per power supply unit, we recommend to use the following formula:

$$\text{max q-ty of modules} = \frac{\text{supply unit power}}{\text{module power} \times 1.2}, \text{ where } 1.2 - 20\% \text{ margin of supply unit power.}$$

CALCULATION OF MODULES PER POWER SUPPLY UNIT

Supply unit power	Max quantity of modules
18W	20 pcs.
35W	40 pcs.
50W	57 pcs.
60W	69 pcs.
100W	115 pcs.
150W	173 pcs.

