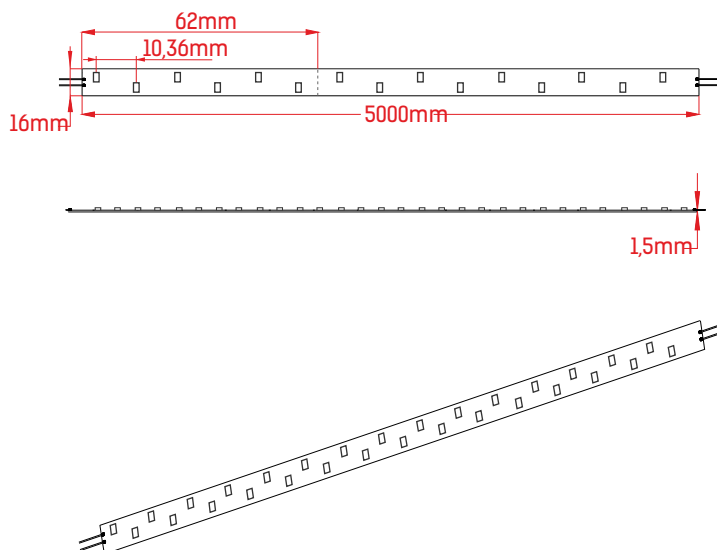


3 WARRANTY ^{*}
YEAR

Storage temperature:
from -40 till +70 C
Operating temperature:
from -25 till +50 C

SPECIFICATION

MB-R96ER-2835-X-S



Name	Color	Color temperature	LED quantity	Luminous flux	Angle of luminous flux	Voltage	Current consumption	Output	Dimensions	Protection class**
MB-R96ER-2835-W-S		6500~7000K	480	2200 lm/m	120	24V	5,62A/5m	27W/m	5000*16*1,5	IP33
MB-R96ER-2835-PW-S		4000~4500K	480	2200 lm/m	120	24V	5,62A/5m	27W/m	5000*16*1,5	IP33

****do not use in direct sunlight**

ADVANTAGES:

- High luminous efficiency;
- Easy and safe installation;
- State-of-the-art chips inside.

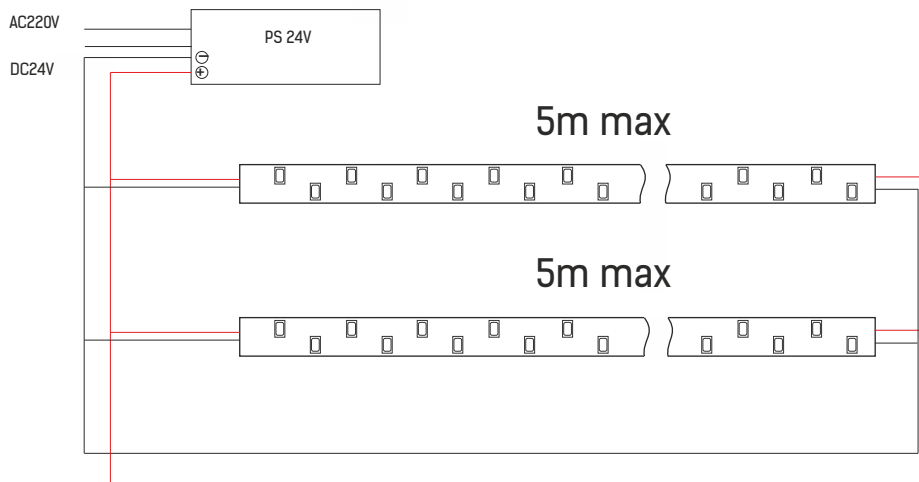
APPLICATION:

- Bright backlight of advertising structures;
- Interior lighting;
- Decorative design.

*If equipment is operating max 12 hours per day.
In case of a day and night operation the warranty period is decreased by 2 times

INSTALLATION

Power is connected to the belt from two sides every 5 meters



NOTE: For installation refer to the connection diagram. Improper connection may cause a short-circuit!

ATTENTION: Make sure that the power supply unit is disconnected from 220V network before connecting light-emitting diodes.

POWER SUPPLY UNIT SELECTION TABLE

Power supply unit (outdoor application)	max q-ty, pcs.	max length, meters
LPH-18-24	0	0,5
LPV-35-24	0	1,1
LPV-60-24	0	1,8
CLG-100-24	0	1,8
CLG-150-24	0	4,0

Power supply unit (indoor application)	max q-ty, pcs.	max length, meters
RS-35-24	0	1,1
RS-50-24	0	1,5
RS-150-24	0	4,6
SP-200-24	1	6,1